

NOTES:

1. MATERIAL:
- 1.1 HOUSING: PA66+30%GF(U94V-0) $\Delta\Delta$
 - 1.2 COVER: PA66+30%GF(U94V-0) $\Delta\Delta$
 - 1.3 TERMINAL: BRASS, MATTE TIN PLATED OVER NICKEL

2. ELECTRICAL:

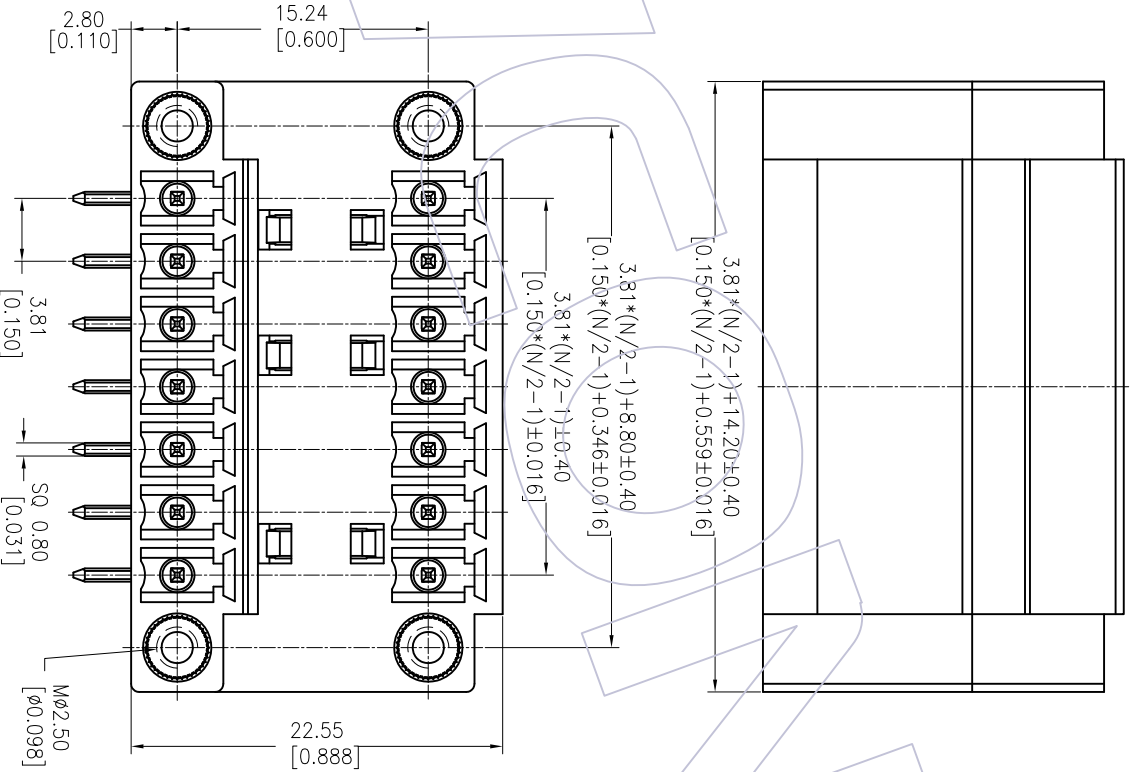
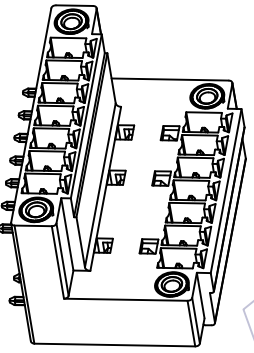
- 2.1 CURRENT RATING: 8 A
 - 2.2 VOLTAGE RATING: 300 V
 - 2.3 CONTACT RESISTANCE: 8 m Ω MAX
 - 2.4 DIELECTRIC WITHSTANDING VOLTAGE: 2000V AC
 - 2.5 INSULATION RESISTANCE: 1000 M Ω MIN
3. ENVIRONMENTAL:
- 3.1 OPERATION TEMPERATURE: -40°C TO +105°C
 4. No. OF POSITIONS: 2~20
 5. ALL MATERIALS SHOULD BE COMPLIANT TO ROHS

Ordering Information:

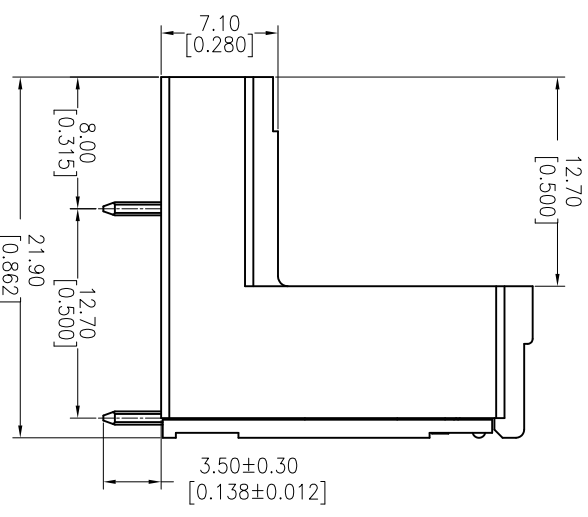
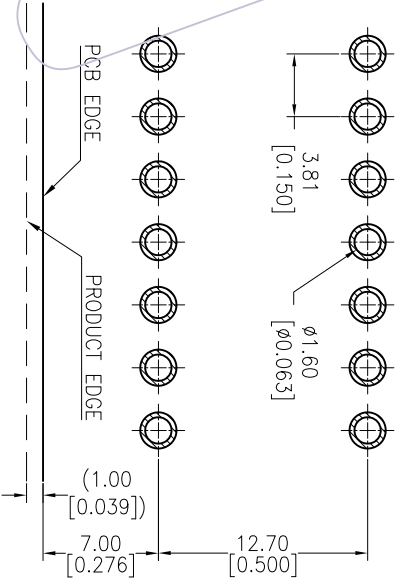
P M 381 - 3 R XX X SM 2 N

M=Male Pitch 381=3.81

No. of Pins 02-20P Color A=Green SM=Matte Tin Contact Plated Series No.



Recommended P.C.B Layout (Top Side)
 (PCB BOARD TOLERANCE ± 0.05)



OPERATION		DRAW		DATE		SCALE		PART NO.		WCON Http: www.wcon.com WCON-Dongguan Tel: +86 769 85358920 Fax: +86 769 85358915 E-mail: sdes@wcon.com WCON-Kunshan Tel: +86 512 57468408 Fax: +86 512 57468468 E-mail: sdesks@wcon.com	
XX	± 0.40	Tsingna	2013/06/05	mm		inch		PM381-3RXXXSM2N			
CHECK		DATE		UNIT		FIT		TITLE:		Pluggable Terminal Blocks Double Stagger Tier With Flange Customer NO.	
X,XXX	± 0.25			A4		A4		3.81mm Pitch Male			
Angle	± 0.15	APPROVE		SHEET		1/1		Double Stagger Tier With Flange			
± 3'		DATE		PROJ.				Customer NO.			
DIM	TOL										

