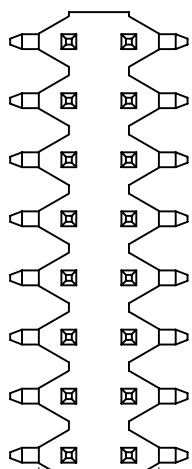


# HSF

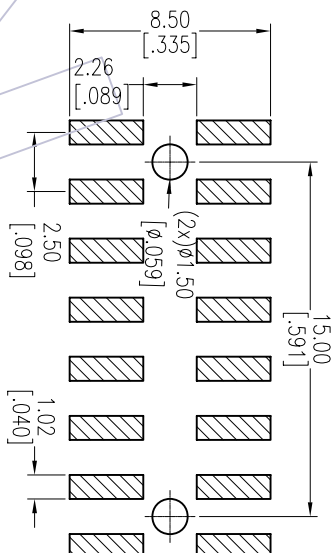
**NOTES:**

Rated Current:3.0AMP.  
 Contact Resistance:20mΩ Max.  
 Withstand Voltage:1000V AC/DC  
 Insulation Resistance:1000MΩ Min.  
 Operation Temperature:-40℃ to +105℃  
 Contact Material:Brass  
 Contact Plating:200u" Sn Over 30~50u" Ni  
 Insulator Material:PA6T+30%G.F UL94V-0 BK



5.08±0.05  
[.200±0.002]

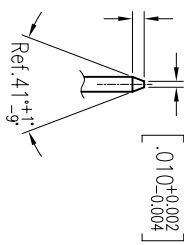
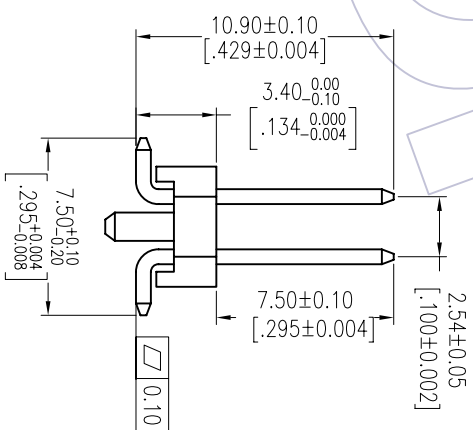
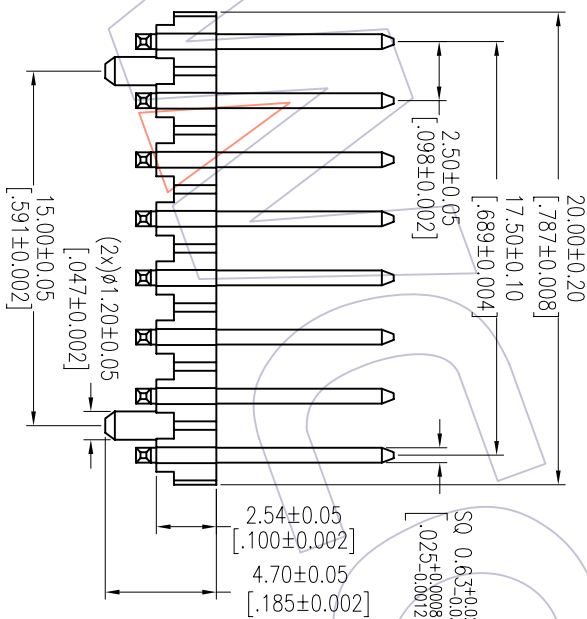
Recommended P.C.B Layout (Top Side)  
 (PCB BOARD TOLERANCE±0.05)



## Ordering Information

1725A-12 08 SN M 126 0 1

No. of Pins Contact Plating Pin Length Packing  
 Per Row:08 SN=7In 126=12.6 0=PE Bag



OPERATION	DRAW	DATE	SCALE	FIG	PART NO.
XX	<i>William Diao</i>	2012.08.15	mm	1/1	1725A-1208SNM12601
XX	CHECK	DATE	UNIT	[Inch]	TITLE:
X.XXX	±0.25		SIZE	A4	PH2.50*2.54 2*8P SMT IH=2.5
X.XXX	±0.15		SHEET	1/1	Customer NO.
Angle	± 3'	APPROVE	PROJ.		K3016 (CN3549-02)
DIM	TOL				
CHANGE					
REV	DATE	MODIFICATION DESCRIPTION			
A0	2012/08/15	NEW			

# WCON

Http: www.wcon.com  
 WCON-Dongguan Tel: +86 769 85358920 Fax: +86 769 85358915 E-mail: sales@wcon.com  
 WCON-Kunshan Tel: +86 512 57468408 Fax: +86 512 57468468 E-mail: sales@wcon.com