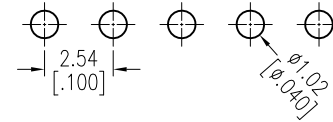
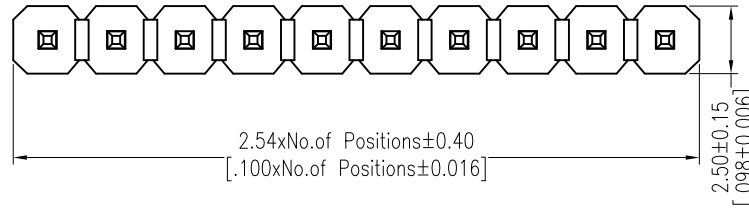


# HSF

Recommended P.C.B Layout (Top Side)  
(PCB BOARD TOLERANCE±0.05)

NOTES:  
Rated Current:3.0AMP.  
Contact Resistance:20mΩ Max.  
Withstand Voltage:500V AC/DC  
Insulation Resistance:1000MΩ Min.  
Operation Temperature:-40°C to +105°C

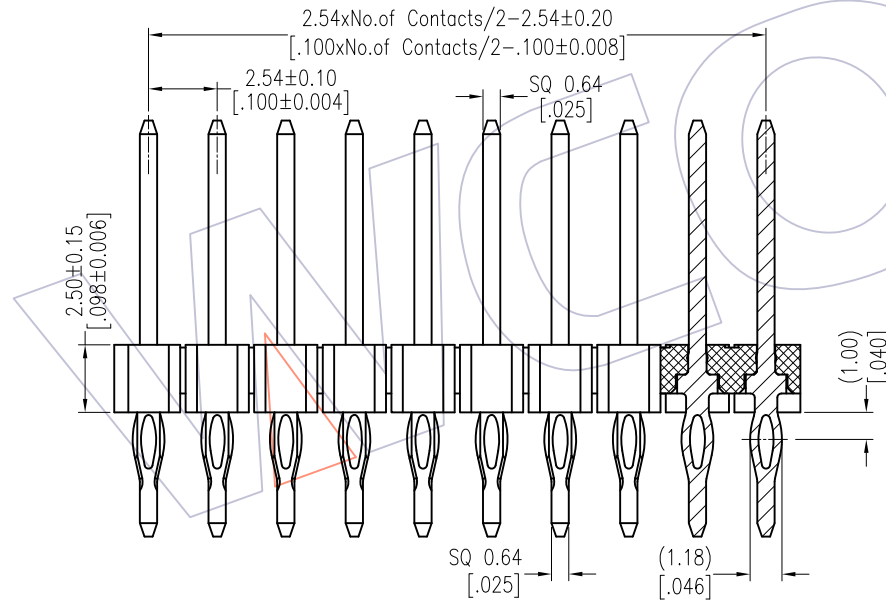
Contact Material:Brass  
Contact Plating:Au or Sn Over Ni  
Insulator Material:PBT+30%G.F UL94V-0 BK



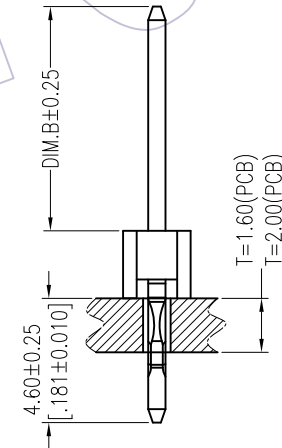
## Ordering Information

1001-11 XX XX S XXX X 1

No.of Pins Per Row:02~40	Contact Plating	Pin Length	Packing
	G0=Gold Flash	15.4	0=PE Bag
	G3=10u"Gold	17.4	T=Tube
	G4=15u"Gold	12.9	
	G5=30u"Gold	9.80	
	S0=Gold Flash/Tin		
	S3=10u"Gold/Tin		
	S4=15u"Gold/Tin		
	S5=30u"Gold/Tin		



PART No.	DIM.B
1001-12XXXXS15401	8.3
1001-12XXXXS17401	10.3
1001-12XXXXS12901	5.8
1001-12XXXXS09801	2.7



REV	DATE	MODIFICATION DESCRIPTION	CHANGE	OPERATION	DRAW	DATE	SCALE	Fit	PART NO.
A2	2015/04/01	Modify	-----	x.X ±0.40	JYHuang	2015/04/01	UNIT	mm	1001-11XXXXSXXXXX
A1	2014/05/06	Modify	Tang	x.XX ±0.25	CHECK	DATE	SIZE	A4	TITLE: 2.54 PITCH PRESS FIT DIP TYPE SINGLE ROWS PIN HEADER
A0	2013/12/31	NEW	-----	x.XXX ±0.15	APPROVE	DATE	SHEET	1/1	Customer NO.
				Angle ± 3'			PROJ.		
				DIM TOL					

# WCON

Http: www.wcon.com

WCON-Dongguan Tel: +86 769 85358920 Fax: +86 769 85358915 E-mail: sales@wcon.com	WCON-Kunshan Tel: +86 512 57468408 Fax: +86 512 57468468 E-mail: salesks@wcon.com
---	--