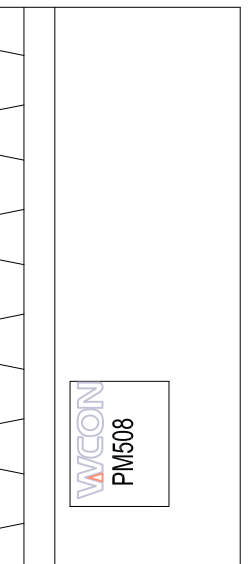
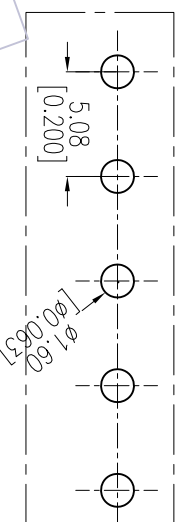


HSF

Recommended P.C.B Layout(Top Side)
(PCB BOARD TOLERANCE±0.05)



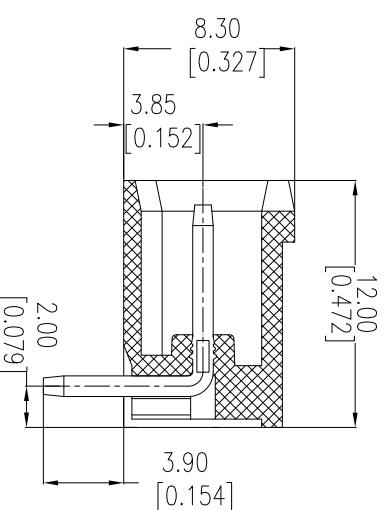
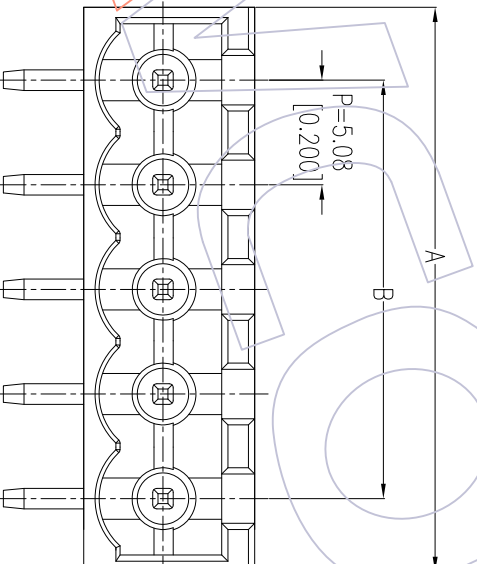
NOTES:
 Current Rating:18A
 Voltage Rating:300V
 Contact Resistance:8milliohm Max
 Withstand Voltage:AC2000V
 Insulation Resistance:1000MegoHM Min
 Operation Temperature:-40°C to +105°C
 Housing Material:PA66+30%GF(UL94V-0) Δ
 Contact Material:Brass

Ordering Information:

P M 508 - 1 R XX A SM 1

M=Male Pitch 508=5.08
 No.of Pins 02=24P Color Contact Plated Series No.
 A=Green SM=Matte Tin

13P	68.04 ±0.30	60.96 ±0.30			
12P	62.96 ±0.30	55.88 ±0.30	24P	123.92 ±0.50	116.84 ±0.50
11P	57.88 ±0.30	50.80 ±0.30	23P	118.84 ±0.50	111.76 ±0.50
10P	52.80 ±0.30	45.72 ±0.30	22P	113.76 ±0.50	106.68 ±0.50
9P	47.72 ±0.30	40.64 ±0.30	21P	108.68 ±0.50	101.60 ±0.50
8P	42.64 ±0.30	35.56 ±0.30	20P	103.60 ±0.50	96.52 ±0.50
7P	37.56 ±0.20	30.48 ±0.20	19P	98.52 ±0.40	91.44 ±0.40
6P	32.48 ±0.20	25.40 ±0.20	18P	93.44 ±0.40	86.36 ±0.40
5P	27.40 ±0.20	20.32 ±0.20	17P	88.36 ±0.40	81.28 ±0.40
4P	22.32 ±0.20	15.24 ±0.20	16P	83.28 ±0.40	76.20 ±0.40
3P	17.24 ±0.20	10.16 ±0.20	15P	78.20 ±0.40	71.12 ±0.40
2P	12.16 ±0.20	5.08 ±0.10	14P	73.12 ±0.40	66.04 ±0.40
Pin	A	B	Pin	A	B



ITEM	Pitch	Mating
Standard	508	PF508
Alternate		

A2	2013/06/05	Modify The Housing Material	OPERATION	DRAW	DATE	SCALE	FIT	PART NO.	WCON-Dongguan Tel: +86 769 85358920 Fax: +86 769 85358915 E-mail: sdes@wcon.com	WCON-Kunshan Tel: +86 512 57468408 Fax: +86 512 57468468 E-mail: sdesks@wcon.com
A1	2012/05/17	Modify PF508-03-XX-A-SM → PF508-1RXXASMI	X.X X.XXX Angle DIM	Tsingna CHECK APPROVE	2013/06/05	mm inch	mm A4	PMS08-1RXXASMI		
A0	2011/06/08	NEW	± 3' TOL	DATE	SHEET	1/1	Customer NO.	WCON		
REV	DATE	MODIFICATION DESCRIPTION	CHANGE	DATE	PROJ.					

WCON

Http: www.wcon.com

WCON-Dongguan
Tel: +86 769 85358920
Fax: +86 769 85358915
E-mail: sdes@wcon.com

WCON-Kunshan
Tel: +86 512 57468408
Fax: +86 512 57468468
E-mail: sdesks@wcon.com