

HSF

NOTES:
 Rated Current: 0.5~1.0 AMP. Δ
 Contact Resistance: 25m Ω Max.
 Withstand Voltage: 500V
 Insulation Resistance: 10000M Ω Min.
 Operation Temperature: -55 $^{\circ}$ C to +125 $^{\circ}$ C

Contact Material: Phosphor Bronze
 Contact Plating: Sn and Au over Ni
 Tail Material: Phosphor Bronze
 Tail Plating: Sn over Ni
 Main Body Material: LCP

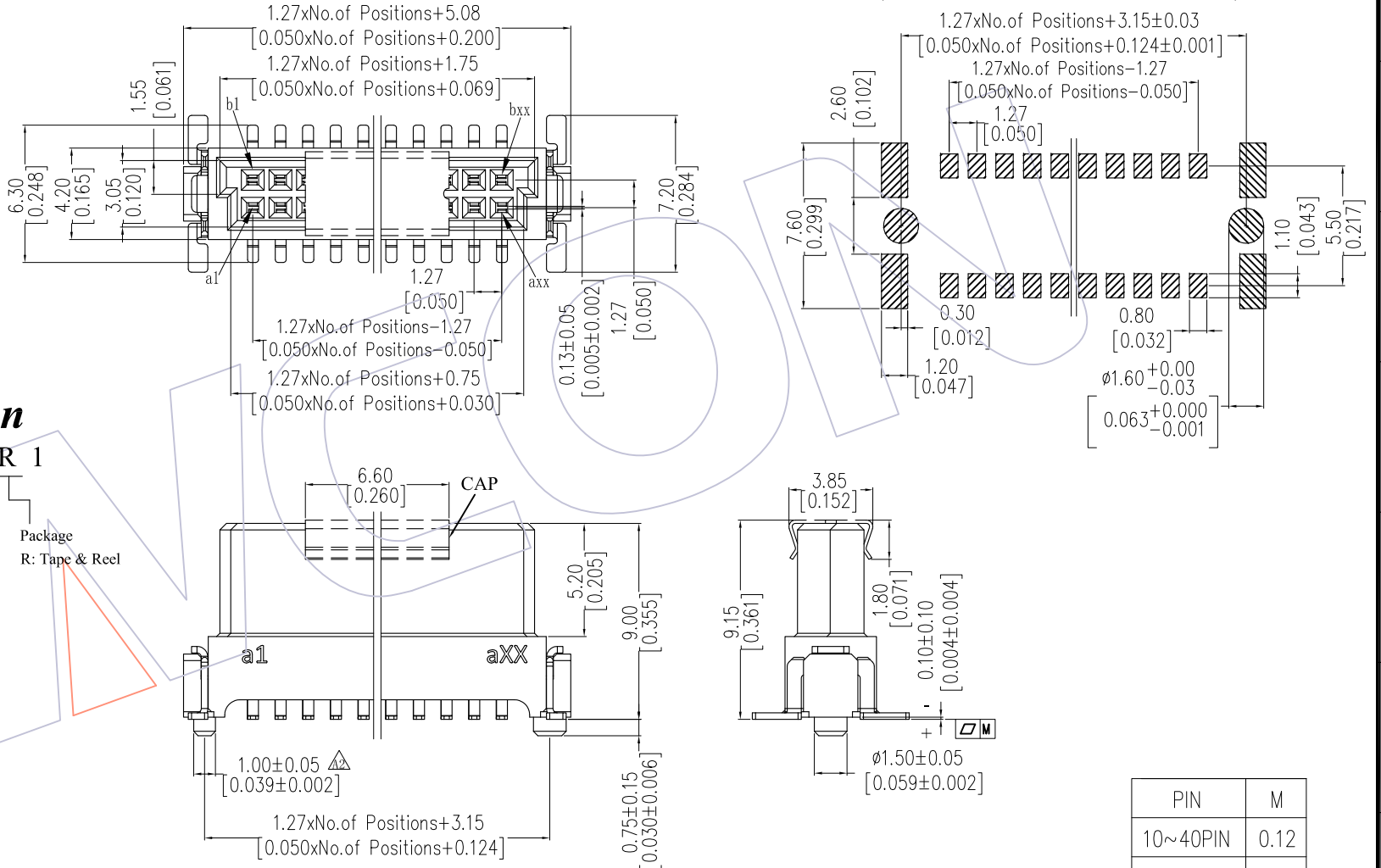
Ordering Information

3910-S XXX - 090 M XX WR 1

No. of Pins
 010: 10 Pin
 020: 20 Pin
 100: 100 Pin

Plating
 S0=Gold Flash/Tin
 S1=3U" Au/Tin
 S2=5U" Au/Tin
 S3=10U" Au/Tin
 S4=15U" Au/Tin
 S5=30U" Au/Tin

Package
 R: Tape & Reel



PIN	M
10~40PIN	0.12
42~100PIN	0.15

REV	DATE	MODIFICATION DESCRIPTION	CHANGE	OPERATION	DRAW	DATE	SCALE	PART NO.
A3	2018/05/04	Modify	---	OPERATION	Ding	2018/05/04	1:1	3910-SXXX-090MXXWR1
A2	2017/12/29	Modify	---	x.x ±0.40			UNIT mm	
A1	2017/10/31	Modify	---	x.xx ±0.25	CHECK	DATE	SIZE A4	TITLE: Δ 1.27Pitch SDC CONNECTORS FEMALE, "E" TYPE, H=9.0 (TYPE B)
A0	2017/08/28	NEW	---	x.xxx ±0.15	APPROVE	DATE	SHEET 1/1	Customer NO.
				Angle ± 3'			PROJ. ϕ	
				DIM TOL				

WCON
 Http: www.wcon.com

WCON-Dongguan
 Tel: +86 769 85358920
 Fax: +86 769 85358915
 E-mail: sales@wcon.com

WCON-Kunshan
 Tel: +86 512 57468408
 Fax: +86 512 57468468
 E-mail: salesks@wcon.com