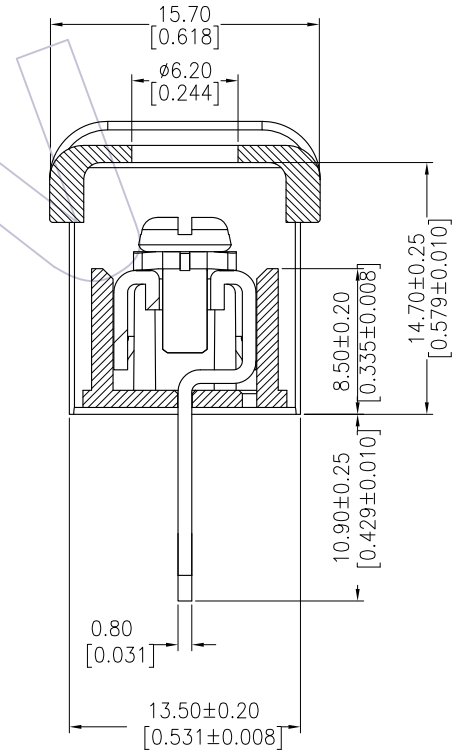
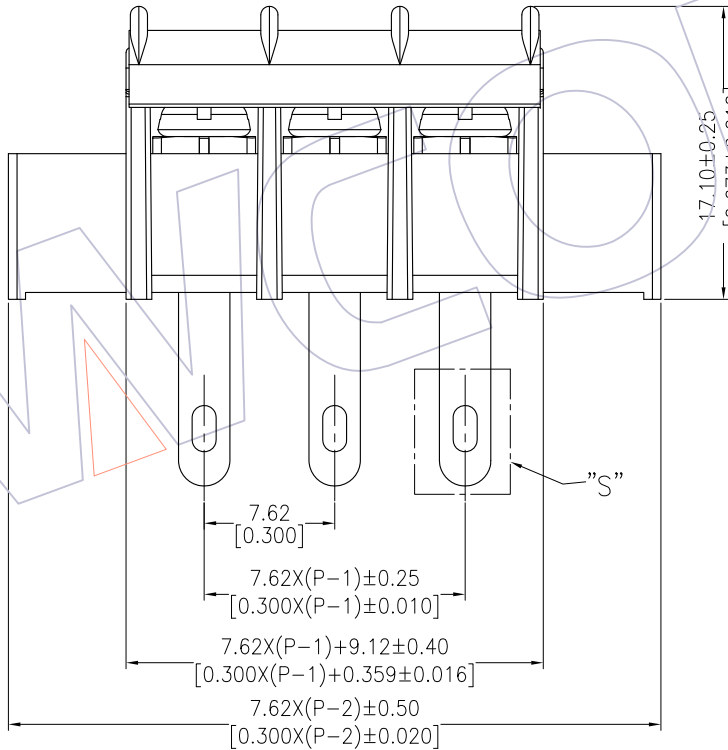
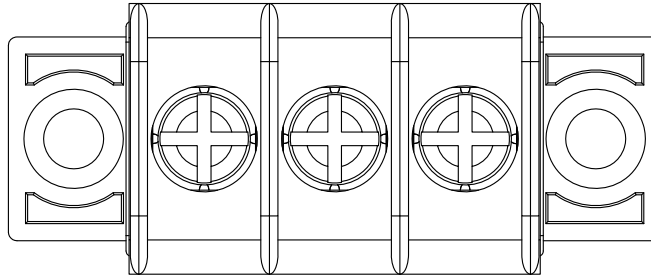


HSF

NOTES:

Rated Current:10 AMP
 Rated Voltage:300 V
 Contact Resistance:15 mΩ max
 Withstand Voltage:2000 V AC/DC
 Insulation Resistance:500 MΩ min DC500V
 Operation Temperature:-40℃ to +105℃
 Torque value: 0.5N.m
 Operation Temperature:-40℃ to +105℃
 Storage Temperature:-10℃ to +40℃

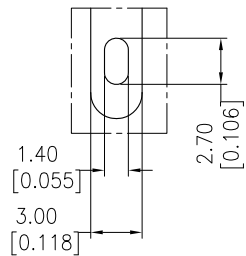
Insulator Material:PA66 +25%GF(UL94 V-0)
 CAP Material:PC(UL94 HB)
 Terminal Material:Brass
 Terminal Plating:Sn Plated Over Nickel
 Screw material:C1018A
 Screw Plated: Ni Plating



Ordering Information:

BH762- XX P XX X W W 01 N

No. of Pins: 02-33P
 Contact Plated: SN=Bright Tin
 Color: B=Black
 Contact Plated: W=With CAP



Detail "S"
1:1

REV	DATE	MODIFICATION DESCRIPTION	CHANGE	OPERATION		DRAW	DATE	SCALE	FIT	PART NO.	TITLE:	Customer NO.
				X.X	±0.40							
				X.XX	±0.25	CHECK	DATE		inch <td>BH762-XXPXXXWW01N</td> <td rowspan="2">7.62 Pitch, Single-Row, D Type, W=13.50, H=14.70 Barrier Terminal Blocks</td> <td rowspan="2">WCON-Dongguan Tel: +86 769 85358920 Fax: +86 769 85358915 E-mail: sales@wcon.com</td>	BH762-XXPXXXWW01N	7.62 Pitch, Single-Row, D Type, W=13.50, H=14.70 Barrier Terminal Blocks	WCON-Dongguan Tel: +86 769 85358920 Fax: +86 769 85358915 E-mail: sales@wcon.com
				X.XXX	±0.15	APPROVE	DATE	A4				
A0	2015/09/16	NEW		Angle	± 3'			SHEET	1/1			
				DIM	TOL			PROJ.				



Http: www.wcon.com

WCON-Dongguan
Tel: +86 769 85358920
Fax: +86 769 85358915
E-mail: sales@wcon.com

WCON-Kunshan
Tel: +86 512 57468408
Fax: +86 512 57468468
E-mail: salesks@wcon.com