

# HSF

NOTES:  
 Current Rating:10A  
 Voltage Rating:150V  
 Contact Resistance:8milliohm Max  
 Withstand Voltage:AC/DC 1000V  
 Insulation Resistance:500Megohm Min  
 Screw Torque: 2.0 lbf.in  
 Wire range: 16AWG-26AWG

Housing Material:PBT UL94V-0  
 Screw:Steel  
 Contact:Brass  
 Spring:SUS301

### Ordering Information:

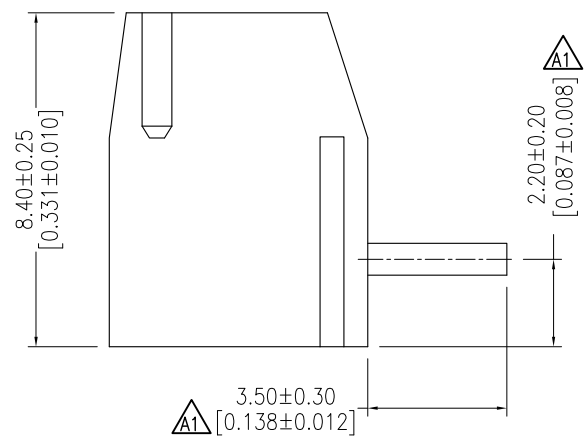
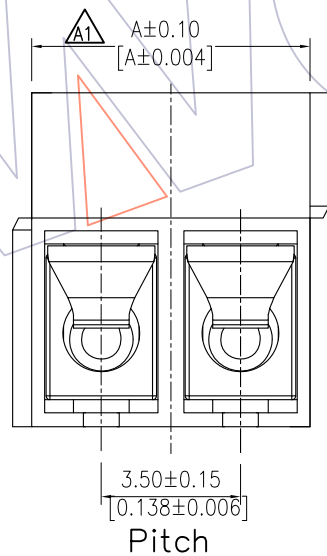
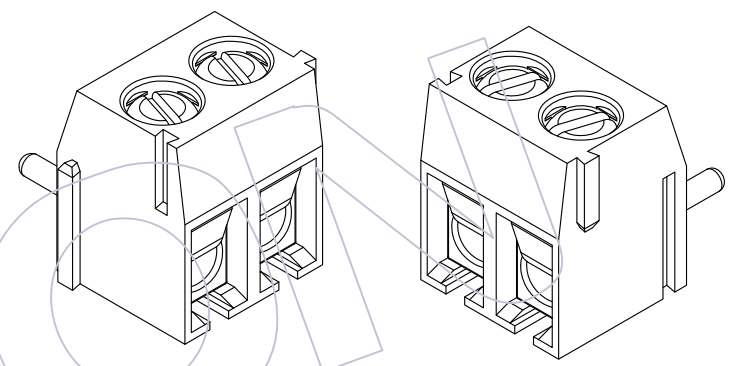
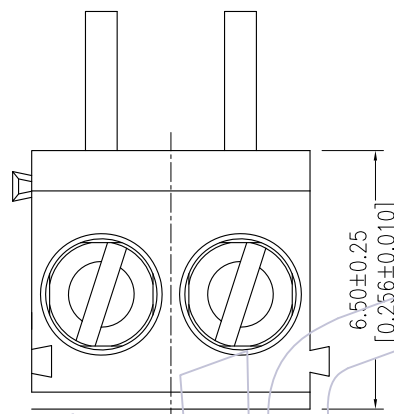
**A H 350 - 084 R XX U SN 1 N**

Pitch    Housing High    No.of Pins    Color    Contact Plated  
 350=3.50    084=8.40    02-20P    U=Blue    SN=Bright Tin

- A2** NOTE:  
 4P=2P+2P  
 5P=2P+3P  
 6P=3P+3P  
 7P=2P+2P+3P  
 8P=3P+3P+2P  
 9P=3P+3P+3P  
 10P=3P+3P+2P+2P  
 11P=3P+3P+3P+2P  
 12P=3P+3P+3P+3P  
 13P=3P+3P+3P+2P+2P  
 14P=3P+3P+3P+3P+2P  
 15P=3P+3P+3P+3P+3P  
 16P=3P+3P+3P+3P+2P+2P  
 18P=3P+3P+3P+3P+3P+3P  
 19P=3P+3P+3P+3P+2P+2P  
 20P=3P+3P+3P+3P+3P+2P

PINS	DIM A
2P	7.00
3P	10.50

$\phi 0.80 \pm 0.10$   
 $[0.031 \pm 0.004]$ typ.



REV	DATE	MODIFICATION DESCRIPTION	CHANGE	OPERATION	DRAW	DATE	SCALE	FIT	PART NO.
A2	16/12/14	ADD NOTE	<b>A2</b>	X.X ±0.40	Surong Xu	16/12/14	UNIT	mm	AH350-084RXXUSN1N
A1	13/03/21	Modify	<b>A1</b>	X.XX ±0.25	CHECK	DATE	inch	TITLE:	
A0	13/01/12	NEW	—	X.XXX ±0.15	APPROVE	DATE	SIZE	A4	3.50mm Pitch Euro Terminal Blocks With Wire Protection 90° DIP
				Angle ± 3°			SHEET	1/1	Customer NO.
				DIM TOL			PROJ.		

**WCON**  
 Http: www.wcon.com

WCON-Dongguan    WCON-Kunshan  
 Tel: +86 769 85358920    Tel: +86 512 57468408  
 Fax: +86 769 85358915    Fax: +86 512 57468468  
 E-mail: sales@wcon.com    E-mail: salesks@wcon.com