

HSF

NOTES:
 Current Rating:0.5AMP
 Contact Resistance:30mΩ max
 Withstand Voltage:500V AC/DC
 Insulation Resistance:100MΩ min
 Operation Temperature:-20°C to +105°C

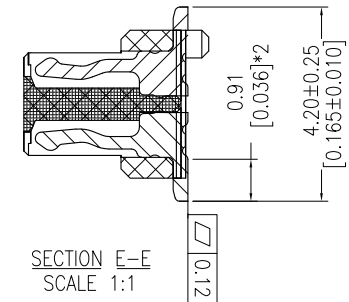
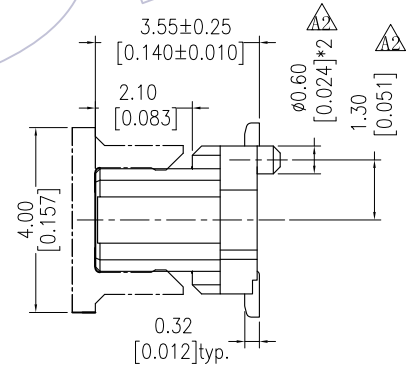
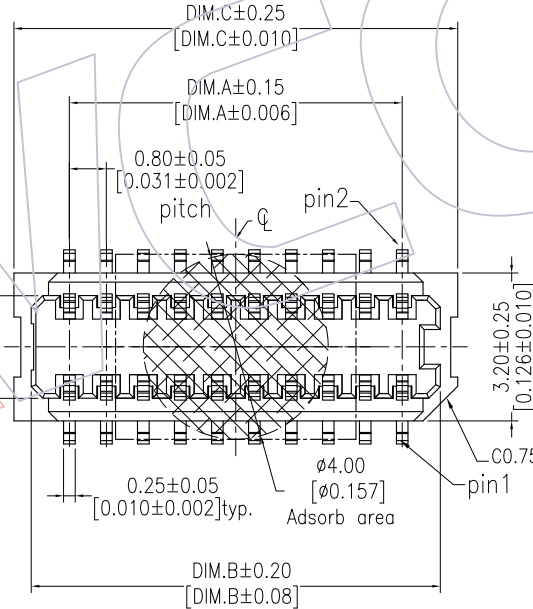
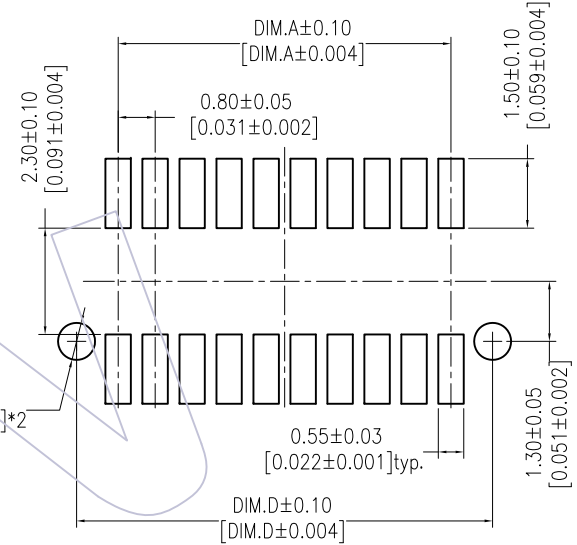
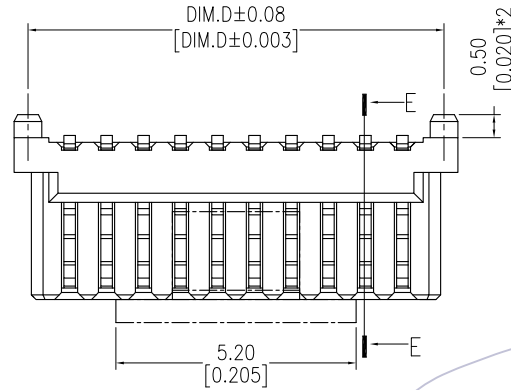
Contact Material:Phosphor Bronze
 Housing Material:PA9T(UL94V-0)
 Contact plating:Au or Sn over Ni

Ordering Information

3612-P **XXX** - **035** **XX** **R** 01

No.of Pins Housing High Male=H1 Contact Plating
 G1=3u"Gold G2=5u"Gold S1=3u"Gold/Tin S2=5u"Gold/Tin
 T=Tube P=Tube+CAP R=Tape&Reel+CAP

Recommended P.C.B Layout (Top Side)
 (PCB BOARD TOLERANCE ±0.05)



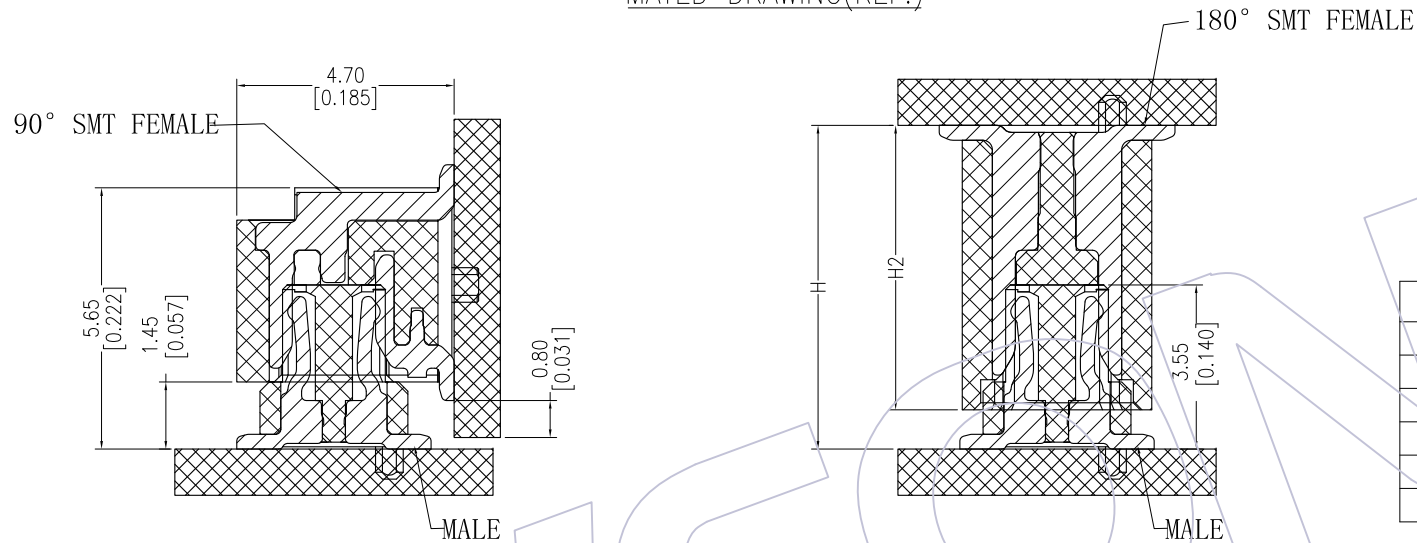
REV	DATE	MODIFICATION DESCRIPTION	CHANGE	OPERATION	DRAW	DATE	SCALE	FIT	PART NO.
A2	2015/12/29	内柱位置: 1.20 → 1.30 大小: Ø0.75 → Ø0.60	△	X.X ±0.40	JYHuang	2015/12/29	UNIT mm		3612-PXXX-035XXR01 △
A1	2013/05/02	Modify The PART NO. 3612-PXXX-008XXR01 To 3612-PXXX-035XXR01	△	X.XX ±0.25	CHECK	DATE	SIZE A4		TITLE: 0.80mm B TO B
A0	2013/03/22	NEW	—	X.XXX ±0.15	APPROVE	DATE	SHEET 1/2		"M" MALE 180° SMT TYPE
				Angle ± 3'			PROJ.		Customer NO.
				DIM TOL					

WCON
 Http: www.wcon.com

WCON-Dongguan WCON-Kunshan
 Tel: +86 769 85358920 Tel: +86 512 57468408
 Fax: +86 769 85358915 Fax: +86 512 57468468
 E-mail: sales@wcon.com E-mail: salesks@wcon.com

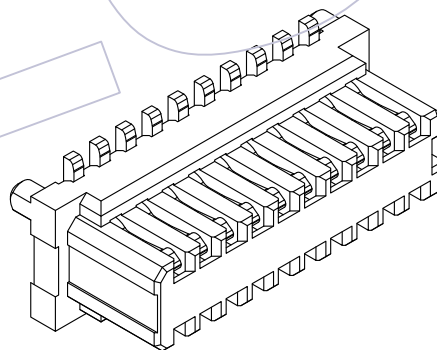
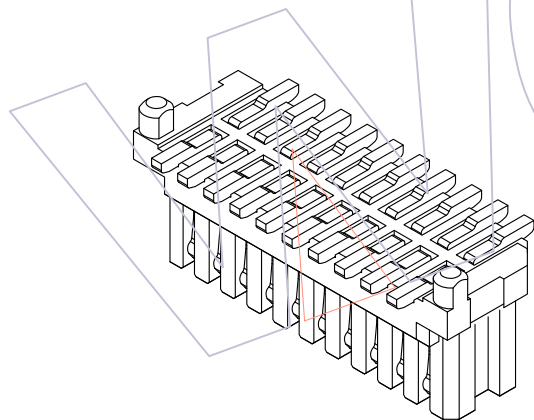
HSF

MATED DRAWING(REF.)



ASS'Y HEIGHT(H)	FEMALE(H2)	MALE(H1)
4.50	3.65	3.55
5.00	4.15	
5.65	4.70	
6.00	5.15	
6.50	5.65	
7.00	6.15	

17.00	17.60	16.85	15.20	40
16.20	16.80	16.05	14.40	38
15.40	16.00	15.25	13.60	36
14.60	15.20	14.45	12.80	34
13.80	14.40	13.65	12.00	32
13.00	13.60	12.85	11.20	30
12.20	12.80	12.05	10.40	28
11.40	12.00	11.25	9.60	26
10.60	11.20	10.45	8.80	24
9.80	10.40	9.65	8.00	22
9.00	9.60	8.85	7.20	20
8.20	8.80	8.05	6.40	18
7.40	8.00	7.25	5.60	16
6.60	7.20	6.45	4.80	14
5.80	6.40	5.65	4.00	12
5.00	5.60	4.85	3.20	10
DIM.D	DIM.C	DIM.B	DIM.A	PIN NO.



REV	DATE	MODIFICATION DESCRIPTION	CHANGE	OPERATION	DRAW	DATE	SCALE	FIT	PART NO.
A2	2015/12/29	内柱位置: 1.20 1.30 大小: $\varnothing 0.75$ $\varnothing 0.60$	Δ	X.X	Tsingsn	2015/12/29	UNIT	mm	3612-PXXX-035XXR01
A1	2013/05/02	Modify The PART NO. 3612-PXXX-008XXR01 To 3612-PXXX-035XXR01	Δ	X.XX	CHECK	DATE	inch	TITLE:	0.80mm B TO B
A0	2013/03/22	NEW	—	X.XXX	APPROVE	DATE	A4	"M" MALE 180° SMT TYPE	Customer NO.
				Angle			SHEET	2/2	
				$\pm 3'$			PROJ.	ϕ	
				DIM					
				TOL					

WCON
Http: www.wcon.com

WCON-Dongguan Tel: +86 769 85358920
WCON-Kunshan Tel: +86 512 57468408
Fax: +86 769 85358915 Fax: +86 512 57468468
E-mail: sales@wcon.com E-mail: salesks@wcon.com