

NOTES:

Current Rating:18A
Voltage Rating:300V
Contact Resistance:8milliohm Max
Withstand Voltage:AC2000V
Insulation Resistance:1000Megohm Min
Operation Temperature:-40C to +105C

Housing Material:PA66+30%GF(UL94V-0) 
Contact Material:Brass
Inlay Material:Brass

Ordering Information:

P M 508 - 1 R XX A SM 2

M=Male
Pitch
508=5.08

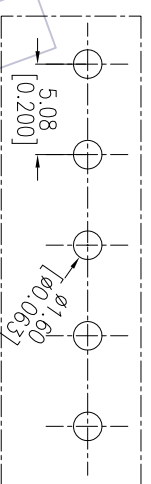
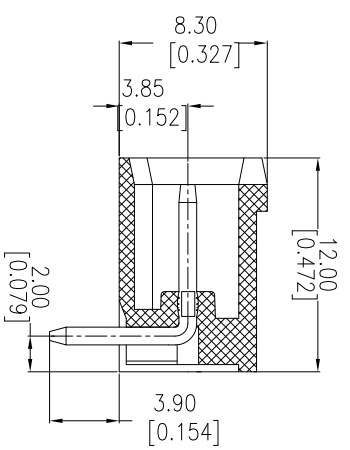
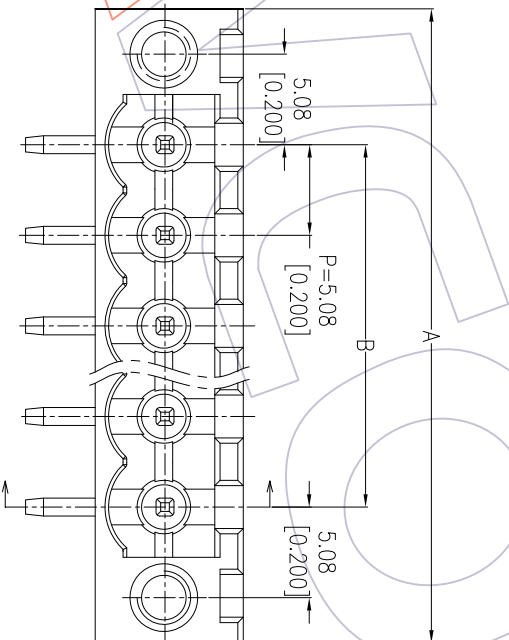
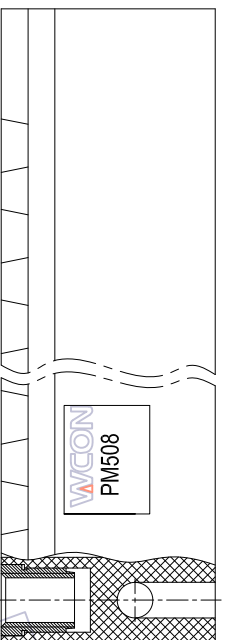
No of Pins
02-24P

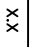


Color Contact Plated
A=Green SM=Matte Tin

Series No.

13P	76.20 ±0.30	60.96 ±0.30	24P	132.08±0.50	116.84±0.50
12P	71.12 ±0.30	55.88 ±0.30	23P	127.00±0.50	111.76±0.50
11P	66.04 ±0.30	50.80 ±0.30	22P	121.92±0.50	106.68±0.50
10P	60.96 ±0.30	45.72 ±0.30	21P	116.84±0.50	101.60±0.50
9P	55.88 ±0.30	40.64 ±0.30	20P	111.76±0.50	96.52 ±0.50
8P	50.80 ±0.30	35.56 ±0.30	19P	106.68±0.40	91.44 ±0.40
7P	45.72 ±0.20	30.48 ±0.20	18P	101.60±0.40	86.36 ±0.40
6P	40.64 ±0.20	25.40 ±0.20	17P	96.52 ±0.40	81.28 ±0.40
5P	35.56 ±0.20	20.32 ±0.20	16P	91.44 ±0.40	76.20 ±0.40
4P	30.48 ±0.20	15.24 ±0.20	15P	86.36 ±0.40	71.12 ±0.40
3P	25.40 ±0.20	10.16 ±0.20	14P	81.28 ±0.40	66.04 ±0.40
2P	20.32 ±0.20	5.08 ±0.10			
PTN	A	B	PTN	A	B

ITEM	Pitch	Mating
Standard	5.08	PF508
Alternate		



A2	2013/06/05	Modify The Housing Material		OPERATION	DRAW	DATE	SCALE	FIT	PART NO.	<p>5.08mm Pitch Male Pluggable Terminal Blocks</p> <p>Customer NO.</p>	<p>WCON-Dongguan Tel: +86 769 85358920 Fax: +86 769 85358915 E-mail: sdes@wcon.com</p> <p>WCON-Kunshan Tel: +86 512 57468408 Fax: +86 512 57468468 E-mail: sdesks@wcon.com</p>
A1	2012/05/17	Modify PF508-05-XX-A-SM → PF508-1RXXASM2		X.XX X.XXX	Tsingna	2013/06/05	mm inch	A4	PM508-1RXXASM2 		
A0	2011/06/08	NEW		Angle DIM	APPROVE	DATE	SHEET PROJ.	1/1			
REV	DATE	MODIFICATION DESCRIPTION	CHANGE	± 3' TOL							



Http: www.wcon.com